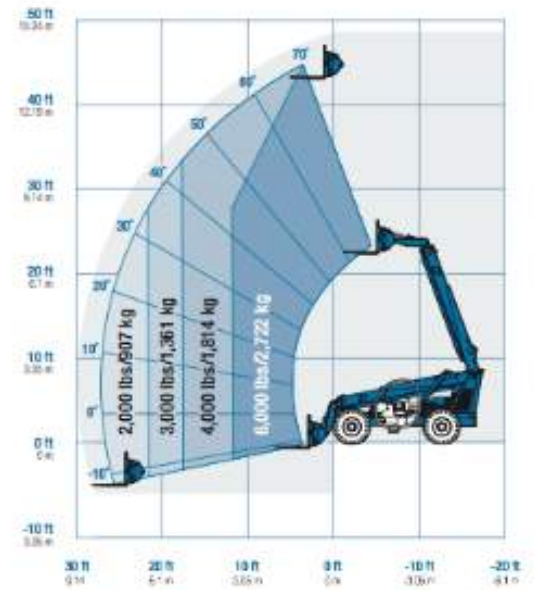
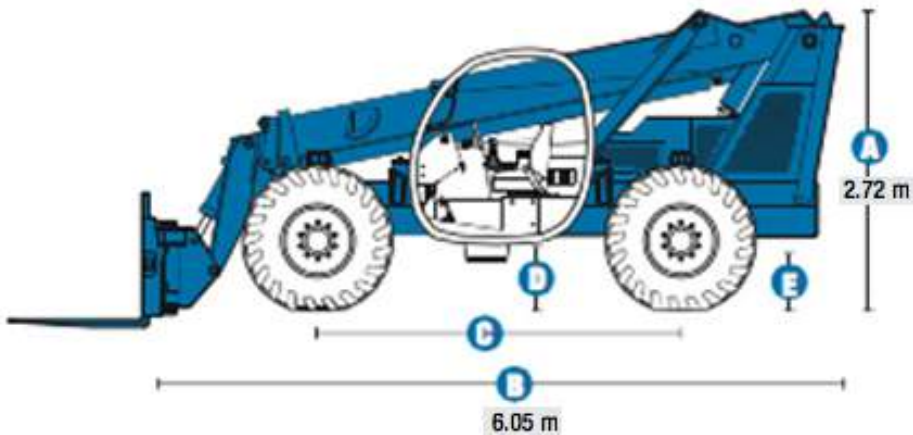


**DIMENSIONES Y CAPACIDAD**  
**GTH-644 SKYTRAK TELEHANDLER**

Altura total de Trabajo con operario	13,41 m
Altura	2,2 m
Longitud	6,05 m
Ancho	2,5 m
Fuente Combustion	
Capacidad en canasta ( Kilos )	2.721
Peso total del equipo ( Kilos )	9.743



Brazo Telescópico   Brazo Eléctrico   Brazo Articulado   Tipo Tráiler   Tijeras   Unipersonales   Telehandler   Tijeras 4X4

## Specifications

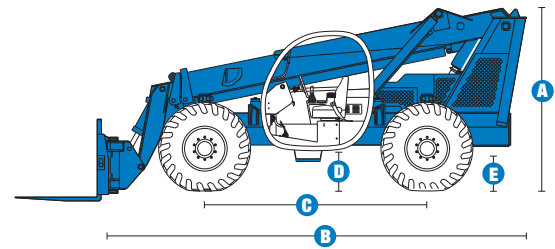
MODEL		GTH™-644	
MEASUREMENTS		US	Metric
Maximum lift height		44 ft	13.41 m
Reach		27 ft	8.23 m
Reach at maximum height		3 ft 6 in	1.07 m
<b>A</b> Height, stowed		8 ft 11 in	2.72 m
<b>B</b> Length, stowed (without forks)		19 ft 10 in	6.05 m
Width		8 ft 6 in	2.59 m
<b>C</b> Wheelbase		10 ft 10 in	3.30 m
<b>D</b> Ground clearance, center		1 ft 5 in	0.43 m
<b>E</b> Ground clearance, axle		1 ft 5 in	0.43 m
Fork cross section		2 x 4 in	0.05 x 0.10 m

PRODUCTIVITY		
Maximum lift capacity	6,000 lbs	2,722 kg
Lift capacity at maximum height	6,000 lbs	2,722 kg
Lift capacity at maximum reach	2,000 lbs	907 kg
Drive speed	17 mph	27.4 km/h
Draw bar pull	19,200 lbs	8,709 kg
Turning radius, outside (4WS)	14 ft 9 in	4.50 m
Auxiliary hydraulic flow	4 or 7 gpm	11 or 26 lpm
Auxiliary hydraulic pressure	2,250 psi	155 bar
Tires, standard size	13 x 24 in, 12 ply	

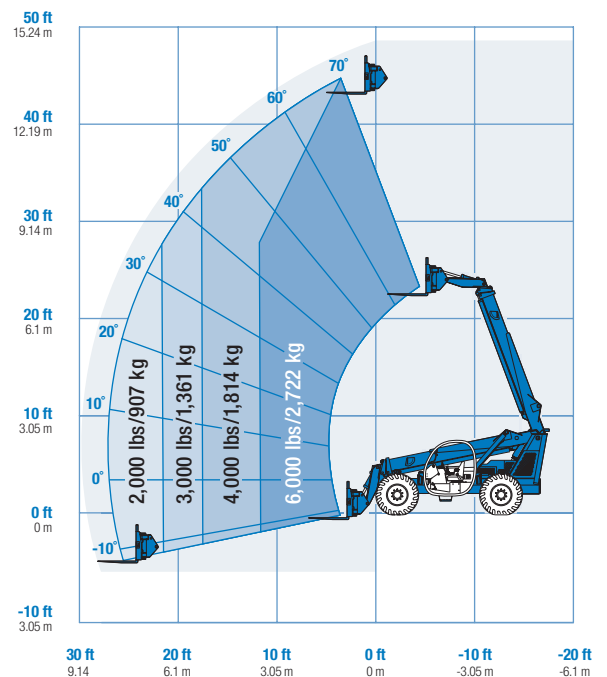
POWER		
Power source	John Deere 4045TF270 4 cylinder diesel 99 hp (73.8 kW)	
Hydraulic tank capacity	34 gal	129 liters
Hydraulic system capacity (w/tank)	50 gal	189 liters
Fuel tank capacity	30 gal	114 liters

WEIGHT		
Weight*	21,480 lbs	9,743 kg

**STANDARDS COMPLIANCE** ASME B 56.6, ISO 8471, ISO 8449



### RANGE OF MOTION GTH™-644



\* Weight will vary depending on options and/or country standards.

# Features

## STANDARD FEATURES

### MEASUREMENTS

- 6,000 lb (2,722 kg) maximum lift capacity
- 44 ft (13.41 m) maximum lift height
- 27 ft (8.23 m) maximum reach

### PRODUCTIVITY

- 4WD
- 4WS
- 3-speed forward and reverse powershift transmission
- Power assisted steering
- Internal multiple wet disc brakes
- Limited slip front axle differential
- Spring applied, hydraulic release emergency parking brake
- 13 x 24 in 12-ply, calcium chloride filled tires
- Rear axle lock-up
- High efficiency/variable displacement hydraulic pump
- ROPS/FOPS canopy (ISO compliant)
- Multi-function joystick controller
- Fully hydraulic proportional boom controls
- Rear window
- Machine level indicator
- Full instrumentation
- 48 in carriage (pin on)
- 48 in pallet forks
- Boom angle indicator

### POWER

- John Deere 99 hp Tier II turbo-charged diesel engine

## OPTIONS & ACCESSORIES

### PRODUCTIVITY

- Fully enclosed cab (includes full glass, defroster, wiper, right-side sliding window, split door)
- Fully enclosed cab with air conditioning
- Wiper
- Defroster fan
- Right-side sliding window
- Glass over skylight bars
- Front window
- Front screen
- Right-side screen
- Cab heater
- Adjustable suspension seat
- Dual joystick controls
- Front axle differential lock
- Strobe light
- Work lights (2 cab mounted front, 1 back-up, 2 stop/tail)
- Road lights (2 cab mounted front, 1 back-up, 2 rear stop/turn/tail, 2 front turn)
- Auxiliary hydraulic circuit
- Fenders (set of 4)
- Mounted disposable fire extinguisher
- Manual quick attach

### ATTACHMENT OPTIONS

- Carriages
  - 60 in (1.52 m) swing carriage
  - 72 in (1.83 m) swing carriage
  - 60 in (1.52 m) wide fork frame
  - 72 in (1.83 m) wide fork frame
  - 48 in (1.22 m) rotating fork frame
  - 60 in (1.52 m) rotating fork frame
  - 72 in (1.83 m) rotating fork frame



- Forks (in addition to standard 48 in pallet forks)
  - 60 in (1.52 m) pallet forks (set of two) 2 x 4 x 60 in (.05 x .10 x 1.52 m)
  - 72 in (1.83 m) pallet forks (set of two) 2 x 4 x 72 in (.05 x .10 x 1.83 m)
  - 60 in (1.52 m) full taper forks (set of two) 2.25 x 5 x 60 in (.06 x .13 x 1.52 m)
  - 60 in (1.52 m) lumber forks (set of two) 1.75 x 7 x 60 in (.04 x .18 x 1.52 m)
  - Cubing tines (set of 4)
- Bucket
  - Light duty rubbish bucket
- Variable reach truss boom
  - 2,000 lb (907 kg) capacity at 8 ft (2.44 m)
  - 1,500 lb (680 kg) capacity at 10 ft (3.05 m)
  - 1,000 lb (454 kg) capacity at 12 ft (3.66 m)
  - 750 lb (340 kg) capacity at 14 ft (4.27 m)

### ENGINE OPTIONS

- Deutz 99 hp turbo-charged Tier II diesel engine
- Intake air heater and block heater (Deutz engine)
- Electric block heater (Deutz engine)
- Electric ether aid (John Deere engine)
- Electric block heater (John Deere engine)

### TIRE OPTIONS

- 13 x 24 in 12-ply foam-filled tires
- 13 x 24 in 12-ply foam-filled rock lug tires

## Genie United States

18340 NE 76th Street  
P.O. Box 97030  
Redmond, Washington 98073-9730

Telephone **(425) 881-1800**  
Toll Free in USA/Canada **800-536-1800**  
Fax (425) 883-3475

## Genie Europe

The Maltings,  
Wharf Road  
Grantham NG31 6BH  
U.K.

Telephone **+44 (0)1476 584333**  
Fax +44 (0)1476 584334

Email: [infoeurope@genieind.com](mailto:infoeurope@genieind.com)

## Distributed By:

For further information, please contact your local distributor or the Genie Industries sales office listed. Product specifications are subject to change without notice or obligation. The photographs and drawings in this brochure are for illustrative purposes only. Refer to the appropriate Operator's Manual for instructions on the proper use of this equipment. Failure to follow the appropriate Operator's Manual when using our equipment or to otherwise act irresponsibly may result in serious injury or death. Prices and specifications subject to change without notice. The only warranty applicable is the standard written warranty applicable to the particular product and sale. Genie makes no other warranty, expressed or implied. Products and services listed may be trademarks, service marks or trade-names of TEREX Corporation and/or its subsidiaries in the USA and other countries and all rights are reserved. Copyright © 2006 Genie Industries, Inc. "Genie" is a Registered Trademark of Genie Industries, Inc. in the USA and many other countries. Genie is a TEREX Company.