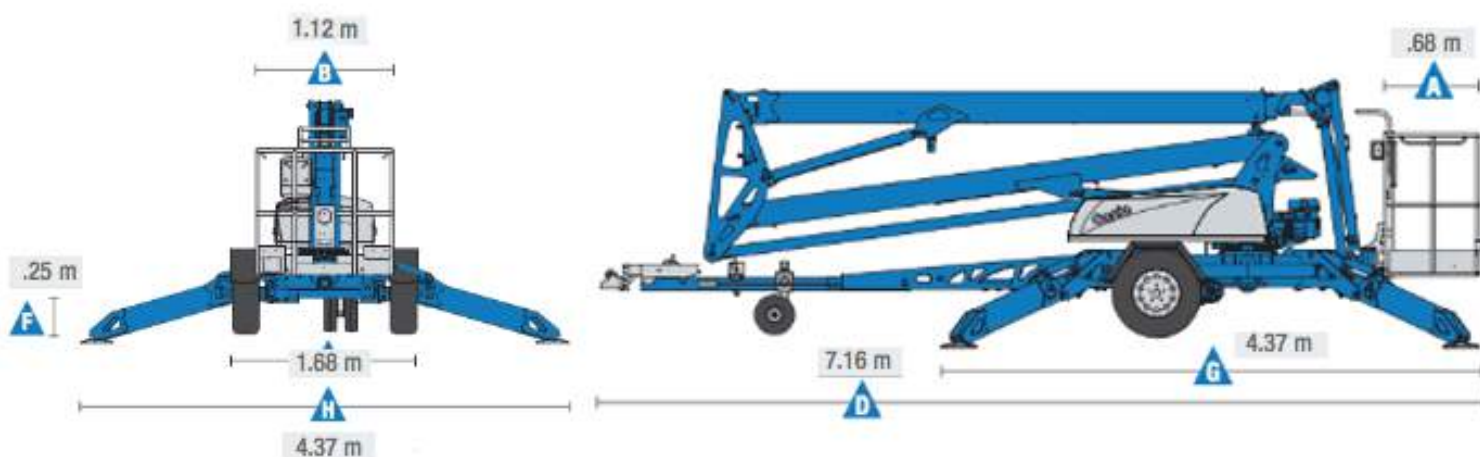


## DIMENSIONES Y CAPACIDAD

### TZ50 TRAILER

|                                      |         |
|--------------------------------------|---------|
| Altura total de Trabajo con operario | 17,09 m |
| Altura de la plataforma - Elevada    | 15,09 m |
| Altura de la plataforma - Retraida   | 2 m     |
| Longitud                             | 7,16 m  |
| Ancho                                | 1,68 m  |
| Fuente Combustion                    |         |
| Capacidad en canasta ( Kilos )       | 227     |
| Peso total del equipo ( Kilos )      | 2.025   |



Brazo Telescópico Brazo Eléctrico Brazo Articulado Tipo Tráiler Tijeras Unipersonales Telehandler Tijeras 4X4

### Specifications

| MODEL                                 | TZ-50       |         |
|---------------------------------------|-------------|---------|
| Measurements                          | US          | Metric  |
| Working height*                       | 55 ft 6 in  | 17.09 m |
| Platform height                       | 49 ft 6 in  | 15.09 m |
| Entry height                          | 1 ft 8 in   | .51 m   |
| Horizontal reach                      | 29 ft 2 in  | 8.89 m  |
| Clear outreach                        | 23 ft 1 in  | 7.04 m  |
| Up and over clearance                 | 22 ft       | 6.71 m  |
| <b>A</b> Platform length              | 2 ft 2.8 in | .68 m   |
| <b>B</b> Platform width               | 3 ft 8 in   | 1.12 m  |
| <b>C</b> Height - stowed              | 6 ft 10 in  | 2 m     |
| <b>D</b> Length - stowed              | 23 ft 6 in  | 7.16 m  |
| <b>E</b> Width - stowed               | 5 ft 6 in   | 1.68 m  |
| <b>F</b> Ground clearance - center    | 10 in       | .25 m   |
| <b>G</b> Length - outrigger footprint | 14 ft 4 in  | 4.37 m  |
| <b>H</b> Width - outrigger footprint  | 14 ft 4 in  | 4.37 m  |

### Productivity

|   |  |           |
|---|--|-----------|
| Lift capacity (ANSI, CSA) - standard          | 500 lbs                                | 227 kg    |
| Lift capacity (ANSI, CSA) - rotating platform | 500 lbs                                | 227 kg    |
| Lift capacity (CE/AUS) - standard             | 440 lbs                                | 200 kg    |
| Lift capacity (CE/AUS) - rotating platform    | 440 lbs                                | 200 kg    |
| Jib boom                                      | 4 ft 1 in                              | 1.25 m    |
| Jib working range                             | 135°                                   |           |
| Self leveling platform                        | 2.5° standard                          |           |
| Platform rotation option                      | 160° hydraulic                         |           |
| AC power to platform                          | standard                               |           |
| Turntable rotation                            | 359° non-continuous                    |           |
| Outrigger leveling capability                 | 10°                                    |           |
| Drive speed                                   | 0.85 mph                               | 1.37 km/h |
| Gradeability**                                | 20%                                    |           |
| Towing speed rate                             | 60 mph                                 | 97 km/h   |
| Tongue weight - ANSI, CSA                     | 400 lbs                                | 181 kg    |
| Tongue weight - CE                            | 220 lbs                                | 100 kg    |
| Surge and parking brakes                      | standard                               |           |
| Controls                                      | variable speed system                  |           |
| Tires - ANSI, CSA                             | ST 225/75 R15                          |           |
| Tires - CE                                    | 215 R14C                               |           |
| Coupler                                       | 2 in ( 5.08 cm) hitch coupler standard |           |

### Power

|                             |                                     |
|-----------------------------|-------------------------------------|
| Power source - standard     | 24V DC (four 6V 225 Ah batteries)   |
| Power source - drive option | 24V DC (four 6V 244 Ah batteries)   |
| Power source - option       | Hybrid DC/Gas Honda 5.5 hp (4.1 kW) |
| Fuel tank capacity          | .95 gal 3.6 L                       |
| Hydraulic tank capacity     | 4.75 gal 18 L                       |
| Hydraulic system capacity   | 8.0 gal 30 L                        |

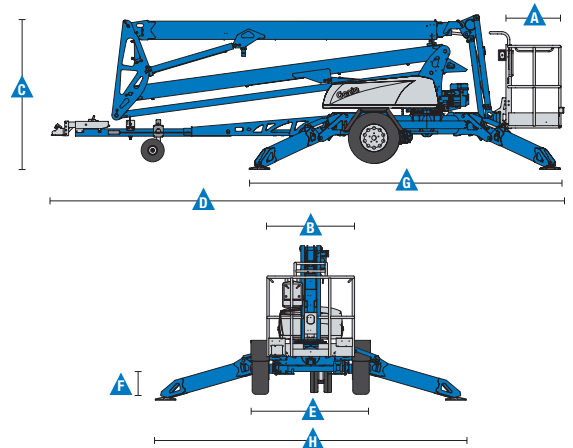
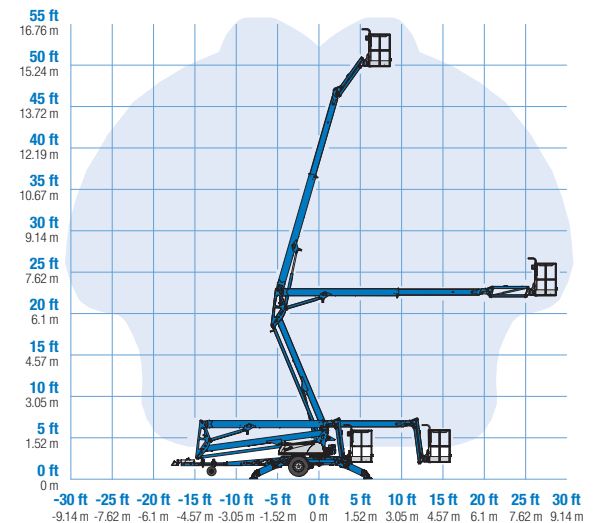
### Weight\*\*\*

|                      |           |          |
|----------------------|-----------|----------|
| ANSI, CSA, Australia | 4,400 lbs | 1,996 kg |
| CE                   | 4,464 lbs | 2,025 kg |

### Standards Compliance

ANSI A92.2, CSA C225, EN 280, AS 1418.10

### Range Of Motion TZ-50



\* The metric equivalent of working height adds 2 m to platform height. U.S. adds 6 ft to platform height.

\*\* Gradeability applies to driving on slopes. See operator's manual for details regarding slope ratings.

\*\*\* Weight will vary depending on options and/or country standards.

### Features

#### Standard Features

##### Measurements

- 55 ft 6 in (17.09 m) working height
- 29 ft 2 in (8.89 m) horizontal reach
- Up to 500 lbs (227 kg) lift capacity

##### Productivity

- Industry leading working envelope
- Extension boom
- Self-leveling platform
- 4 ft jib with 135° working range
- AC wiring to platform
- Hydraulic outriggers
- Automatic 10° leveling system
- Outrigger interlocks
- Mechanical parking brake
- Hydraulic surge brakes
- Auxiliary pump down
- Adjustable hitch with coupler lever lock
- Dual jockey wheels
- 359° non-continuous turntable rotation
- Easy to access batteries
- Hour meter
- Tilt alarm / sensor
- Illuminated outrigger indicators

##### Power

- 24V DC power source (four 6V 225 Ah batteries)

#### Configurations

##### Platform Options

- Aluminum 26.8 x 44 in (.68 x 1.12 m)
- 160° hydraulic platform rotation
- LED brake lights

##### Power Options

- 24V DC power source
- Hybrid Honda 5.5 Hp (4.1 Kw) 45 amp charging system

##### Drive

- Drive and set option (ANSI, CSA, AUS)
- Drive only (CE)

##### Coupler Options

###### Adjustable hitch

- 2 in (5.08 cm) ball coupler
- 2.31 in (5.87 cm) ball coupler
- 2.5 in (6.53 cm) I.D. pintle ring coupler
- Clevis coupler

##### Tire Options

- ST 225/75 R15 tires (ANSI, CSA)
- 215 R14C tires (CE)

#### Options & Accessories

##### Productivity

- 160° hydraulic platform rotation
- Drive and set option
- Wheel chocks
- Fluorescent tube caddy
- Full size spare tire
- Flashing beacon
- Non-marking outrigger footpads
- Battery charge indicator (BCI)
- Tool tray
- Bicycle guard (CE only)
- Horn
- Highway safety chains with snap hook
- LED brake lights
- High capacity battery
- Ladder option

##### Power

- Hybrid Honda 5.5 Hp (4.1 Kw) 45 amp charging system option



#### Genie United States

18340 NE 76th Street  
P.O. Box 97030  
Redmond, Washington 98073-9730  
Telephone +1 (425) 881-1800  
Toll Free in USA/Canada +1 (800)-536-1800  
Fax +1 (425) 883-3475

#### Genie Europe

The Maltings  
Wharf Road  
Grantham NG31 6BH  
UK  
Telephone +44 (0)1476 584333  
Fax +44 (0)1476 584334  
Email: AWP-InfoEurope@terex.com

#### Distributed By:

Effective Date: January, 2013. Product specifications and prices are subject to change without notice or obligation. The photographs and/or drawings in this document are for illustrative purposes only. Refer to the appropriate Operator's Manual for instructions on the proper use of this equipment. Failure to follow the appropriate Operator's Manual when using our equipment or to otherwise act irresponsibly may result in serious injury or death. The only warranty applicable to our equipment is the standard written warranty applicable to the particular product and sale and we make no other warranty, express or implied. Products and services listed may be trademarks, service marks or trade names of Terex Corporation and/or their subsidiaries in the USA and many other countries. Genie is a registered trademark of Terex South Dakota, Inc. © 2013 Terex Corporation.